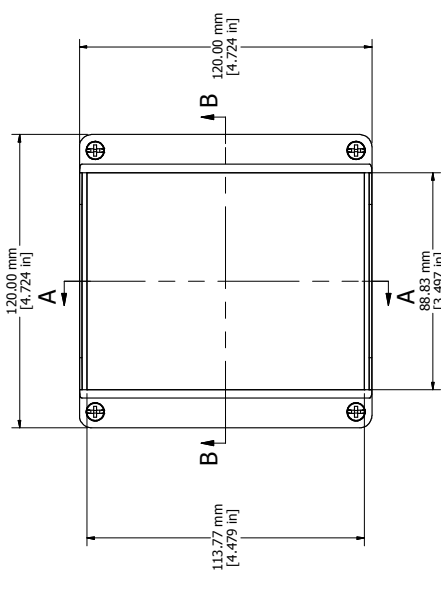
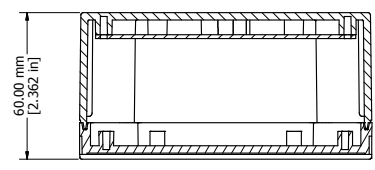
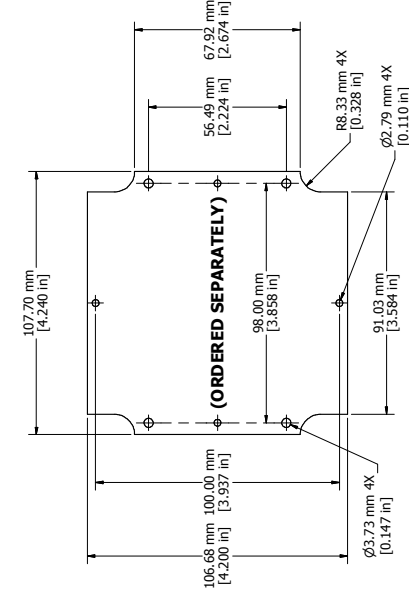
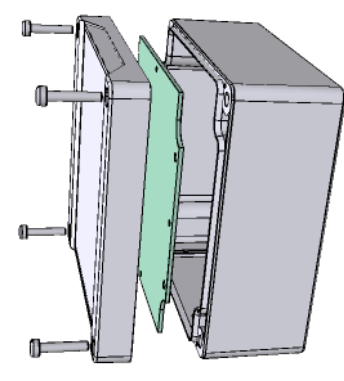


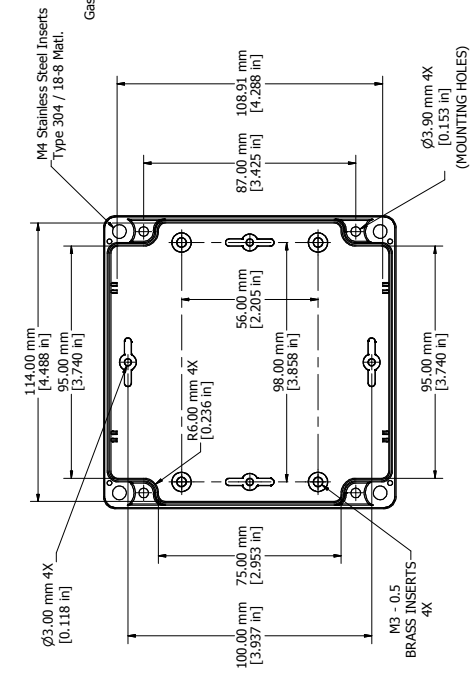
1 2 3 4 5 6 7 8



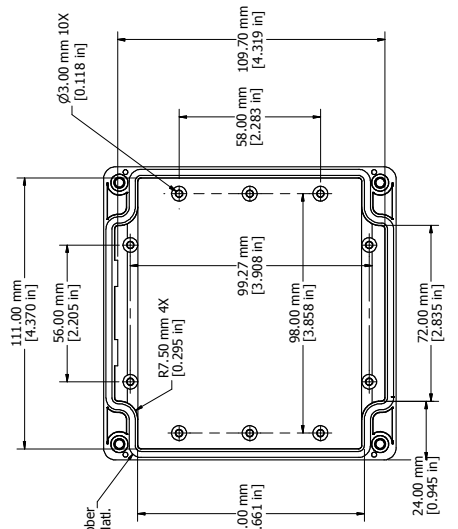
**UL LISTED**  
File #E65324  
NEMA 4, 4X



STEEL INNER PANEL



BOX - INSIDE



**NOTE**  
Purchased assembly includes box, lid, and 4 cover screws  
Cover screws should be torqued to 2.5 lbf-in (30 cN-m)  
Polycarbonate version is UL 508 approved

1555N	
1555N Regular Enclosure	
General Purpose ABS RAL-7035 UL94 - HB	1555NGY
Polycarbonate RAL-7035 UL94 - V0 / 5VA @ 3mm	1555N2GY
ACCESSORIES	
Heavy Duty 16 Gauge Galvanized Steel Panels	1554NPL
Steel Panel / P.C. Board Machine Screw [M3 x 8mm Nickel Plated]	1591MM100
Steel Panel / P.C. Board Self Tapping Screw #6 x 1/4" (6.4mm) Nickel Plated	1598ATS100
Cover Screws (Pkg 4)	SC1554
[M4 X 20mm Type 304 Stainless Steel]	

**HAMMOND  
MANUFACTURING™**

1555N  
www.hammondmfg.com

Enclosures can be Factory Modified (Milling, Drilling, Printing etc.)  
Solid models of this enclosure available in STEP or IGES.  
Contact Factory njm@hammondmfg.com

A B C D